

# Safety Is also a Matter of Precise Targeting



Telescopic Sights 6-24 x 56; 6-24 x 72



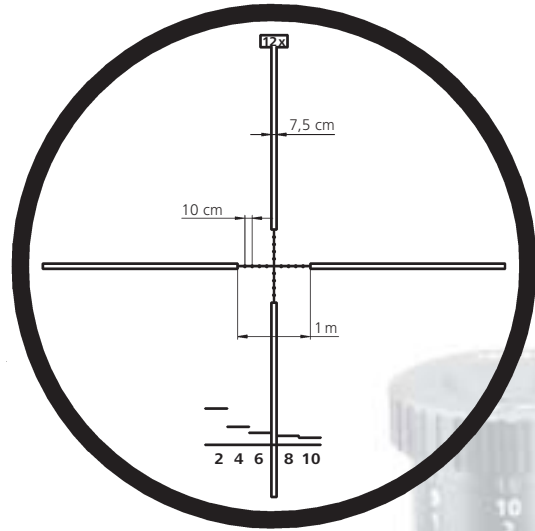
We make it visible.

# Precise targeting improves the protection of people and property

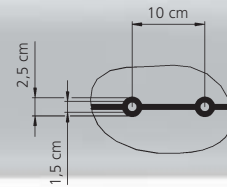
In addition to military facilities, protecting people is also very important. The more details snipers see, particularly at greater distances, the better they can recognize, identify and engage targets, thus allowing them to fulfill their mission with greater protection for themselves and others.

The Telescopic Sights 6–24 x 56 and 6–24 x 72 from Carl Zeiss Optronics deliver outstanding optical images, particularly at high magnification. Furthermore, they are quickly ready for use and easy to use. They not only meet all optical and ergonomic demands of snipers, they also set standards regarding handling and design.

The Telescopic Sights 6–24 x 72, in particular, stands out as a result of its brilliant image quality and very good contrast throughout the entire magnification range.



*The specified dimensions and MIL DOTS are based on a range of 100 m to the target.*



**Telescopic Sights 6–24 x 56 and 6–24 x 72:  
impressive optical performance**



6 to 24x magnification, an optically clear diameter of 56 or 72 mm and parallax compensation of 50 m to infinity provide the best conditions for precise target acquisition. The reticle illumination can be continuously adjusted, also permitting the observation, clarification and precise acquisition of targets during low-light conditions. These telescopic sights can also be supplied with a customer-specific reticle in addition to the standard MIL-DOT reticle.

The colored index marks and numeric values enable users to very easily see the current knob setting. This is vital for bullet drop compensation with adjustment ranges in the second image plane of 200 cm with the "6–24 x 72" (1 click = 1.0 cm/100 m) and 160 cm with the "6–24 x 56" (1 click = 0.5 cm/100 m).



**Telescopic Sight 6–24 x 72**



ZEISS T\*® multi-coating allows this telescopic sight to achieve maximum imaging quality at very high magnification even under the most difficult lighting conditions. Increased transparency in the blue spectral range enables outstanding recognition of details under low-light conditions. The MIL-DOT reticle is equipped with continuous illumination. It can be dimmed as far as needed to prevent the reticle from over-illuminating the target image even at night. The control electronics are equipped with a memory function which guarantees that the same brightness level is used that was previously set. The lateral parallax compensation minimizes target errors and ensures always optimal focus.

The Telescopic Sight 6–24 x 72 has been expertly handcrafted (MIL-SPEC) and is made of the best materials. As with all ZEISS riflescopes, it is watertight as per ISO 9022-81 and nitrogen-filled. It is recoil proof up to the highest calibers and also meets the most stringent military requirements despite the large optical design.





# Technical data

Telescopic sight	6–24 x 56	6–24 x 72
<b>Optical data</b>		
Scope magnification	6 to 24x	6 to 24x
Reticle image plane	2nd image plane	2nd image plane
Exit pupil in mm	9.3 to 2.3	12.0 to 3.0
Field of view (at 1000 m) in m	61 to 17	61 to 17
Resolution in arc seconds	≤ 3	min. 2.5
Transmission in %	≥ 88	approx. 90
Super elevation angle adjustment in elevation and azimuth per indentation in mrad	0.05 mrad (0.5 cm/100 m)	0.1 mrad (1 cm/100 m)
Max. adjustment path in cm/100 m: elevation/azimuth	± 80/± 35	± 100/± 30
Parallax compensation in m	50 to ∞	50 to ∞
<b>Reticle</b>		
Distance between the dots (with V = 12x) in cm/100 m	10	10
Distance between the dots (with V = 12x) in cm/100 m	1	1
<b>Dimensions, weight</b>		
Length/width/height each in mm*	385/94/78	380/94/94
Ring diameter (assembly) in mm	30	34
Weight in g	850	1100
<b>Electrical data</b>		
Reticle illumination	red	
Automatic reticle illumination shutoff	After 3 hours (Set according to customer requirements)	
Low battery display	Optical, after activation of reticle illumination	
Power supply	Button cell 3 V CR 2032 to –20 °C, alternatively: 3 V BR 2032 to –40 °C	
<b>Ambient conditions</b>		
Environmental test	DIN ISO 9022	
<b>Accessories</b>		
	Polarizing filter	
	Yellow filter	
	Clampable/screwable honeycomb filter	
	Clampable/screwable sun shield	
	Eye guard	

\*Minor deviations depending on the position of the adjustment drives

